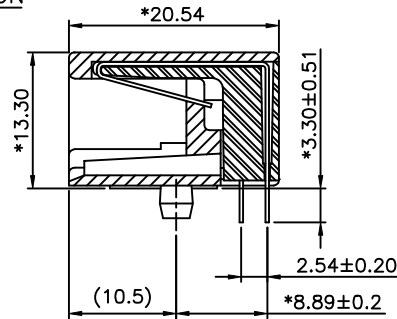
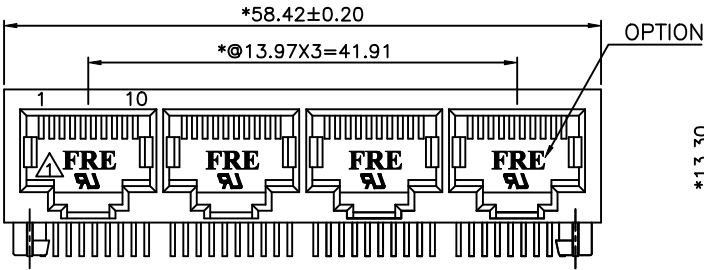


A1RFRD10



MODIFY NOTE		LUXIN	REVISION RECORD				
4	ADD PART NO	11/04/04	REV	ECO	DESCRIPTION	DRFT	CHKD
5	ADD PART NO	03/05/05					
6	MODIFY NOTE	03/16/05	△		MODIFY DRAWING	YCUN	
			△		ADD PART NO	11/30/02	
			△		ADD PART NO	1/17/03	
			△		ADD PART NO	Qiangou	
						8/19/04	

NOTES:

ELECTRICAL:

- VOLTAGE RATING : 125 VAC RMS .
- CURRENT RATING : 1.5 AMP MIN.
- CONTACT RESISTANCE : 50 MILLIOHMS MAX.
- INSULATION RESISTANCE: 1000 MEGOHMS MIN @ 500 VDC.
- DIELECTRIC STRENGTH : 1000 VAC RMS 60Hz, 1MIN.

MECHANICAL:

- HOUSING MATERIAL : GLASS FILLED POLYESTER UL94V-0.
- CONTACT MATERIAL : PHOSPHOR BRONZE t=0.35mm.
- PLATING : GOLD PLATING OVER NICKEL.
- OPERATING LIFE : 750 CYCLES MIN.
- PCB RETENTION PRE-SOLDER : 1 LB MIN.
- PCB RETENTION POST-SOLDER: 10 LBS MIN.

ENVIRONMENTAL:

- STORAGE : -40°C TO +85°C.
 - OPERATION: 0°C TO 70°C.
- MATES WITH MODULAR PLUG CONFORMING TO
FCC PART 68, SUBPART F.
CUL FILE NO. E163191
PART NUMBER: E590X-00CXXX

NO. OF CONTACT
△B- 4 CONTACTS
8- 8 CONTACTS
1-10 CONTACTS

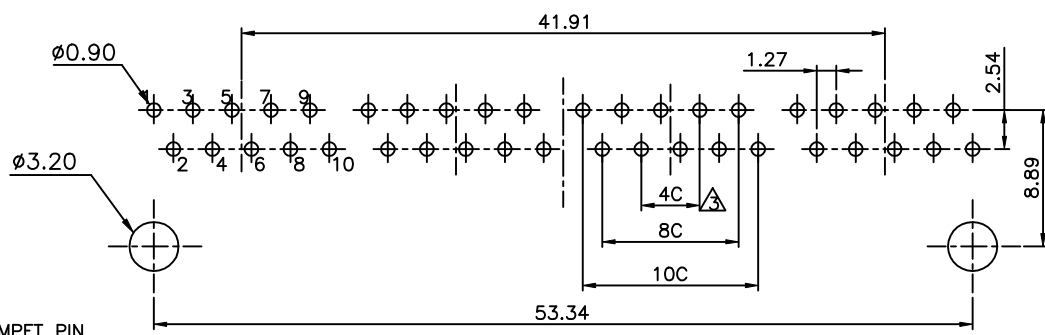
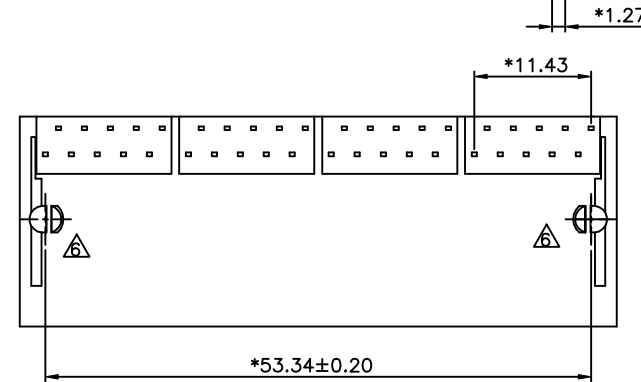
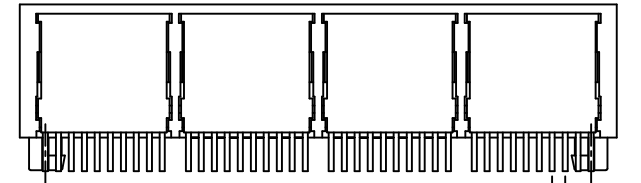
1- 3u" 2- 6u" 3-15u"

4-30u" 5-50u"

4-W/O PANEL STOP SPLIT FOOT ,STAMPET PIN

△ J-W/O PANEL STOP SPLIT FOOT ,STAMPET PIN ,W/O FRE LOGO

△ 0-PBT BK
3-FR52 BK



PC Board Layout
Component Side Shown

DETACHED LISTS	MM (INCH)	DFTO ANNIA	DATE 3/23/00'	FULL RISE ELECTRONIC CO., LTD			
	TOLERANCES EXCEPT AS NOTED	CHKD QIANPU	DATE 2005/3/16				
	MM	MFO	DATE	TITLE 20.57 FLANGELESS PCB JACK 10P 4PORTS			
	.0 ±0.2 ±	APPLV LUSHEN	DATE 2005/3/19				
.00 ±0.15 ±	MATERIAL :			DRAWING NO. GE593A49		SIZE	REV
.000 ±0.075 ±	ANGLES ± 0.5			/PART NO. SEE NOTE		A3	6
THIRD ANGLE PROJECTION	FINISH :			DO NOT SCALE DRAWING		SHEET OF	
	SCALE : 2 : 1						